

PRINCIPAL SPECIFICATIONS

Model Number	Gain @ 50 MHz, dB	Frequency Range, MHz	Gain Variation, dB, Max.	VSWR, In/Out, Typ.	Reverse Isolation, dB, Nom.	Current Requirements, mA, Nom.	Weight oz (g) Nom.
GAM-10-150	10 ± 0.5	5 - 400	±0.5	2.0:1	15	70	2 (56)
GAM-20-150	20 ± 1	5 - 400	±0.5	2.0:1	30	100	4 (114)
GAM-30-150	30 ± 2	5 - 400	±0.75	2.0:1	40	120	4 (114)

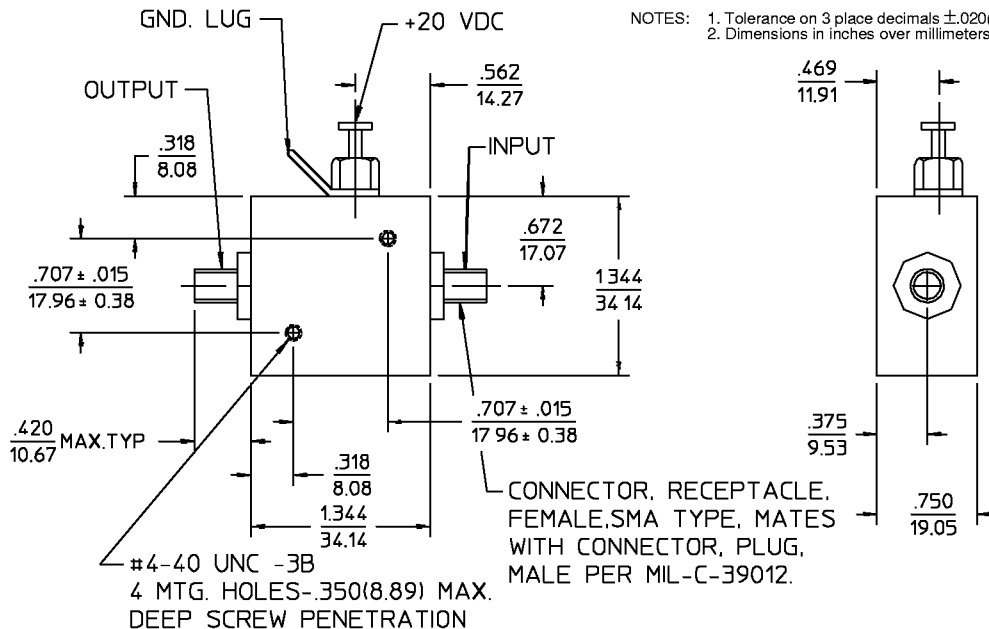
GENERAL SPECIFICATIONS

Frequency Range: 5 to 400 MHz
 Impedance: 50 Ω nom.
 Noise Figure (Ref. 60 MHz): 6 dB max.
 Two Tone Intermodulation Intercept Point (output)
 Second Order: +52 dBm typ.
 Third Order: +27 dBm typ.

GENERAL SPECIFICATIONS

1 dB Comp. Pt (out): +17 dBm typ.
 Power Supply: +20V
 +15V as option
 Connectors: SMA to meet interface req'ts of MIL-C-39012
 Operating Temp: - 55° to +85°C

GAM-10-150

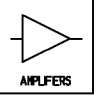


26Apr96

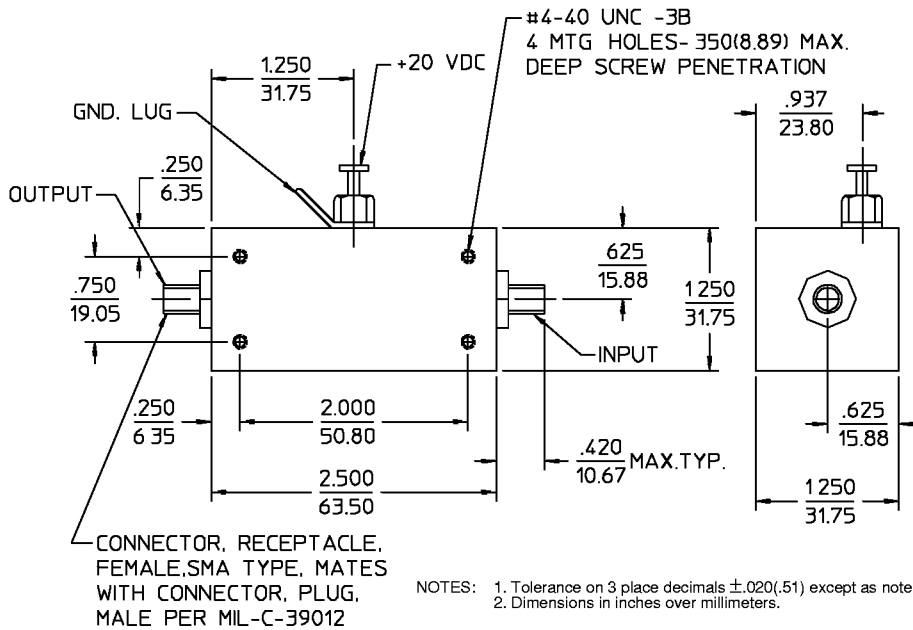
GAM Series

GENERAL PURPOSE AMPLIFIERS

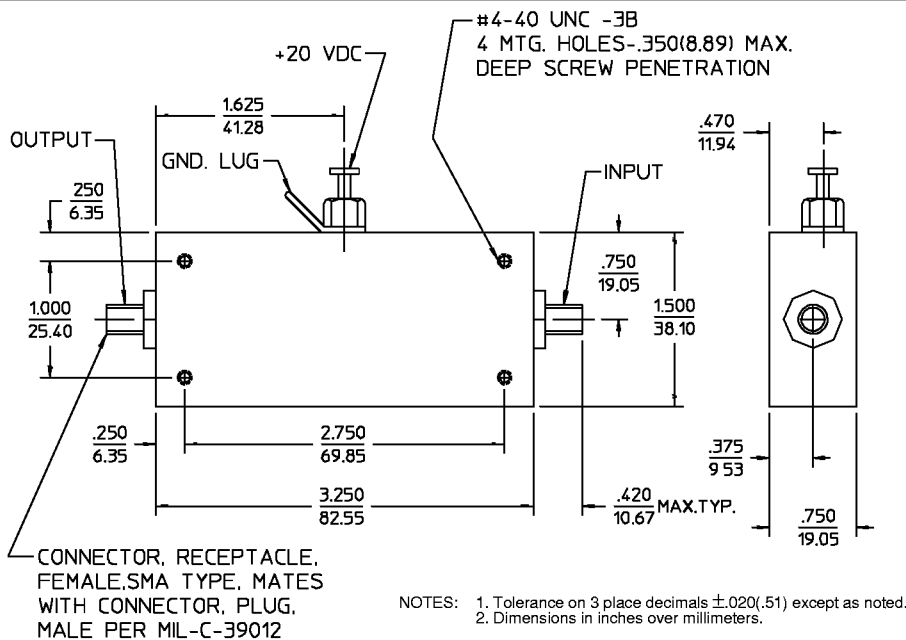
5 to 400 MHz / 10, 20 and 30 dB Gain Modules / High Dynamic Range / SMA Connectors



GAM-20-150



GAM-30-150



08Mar96